

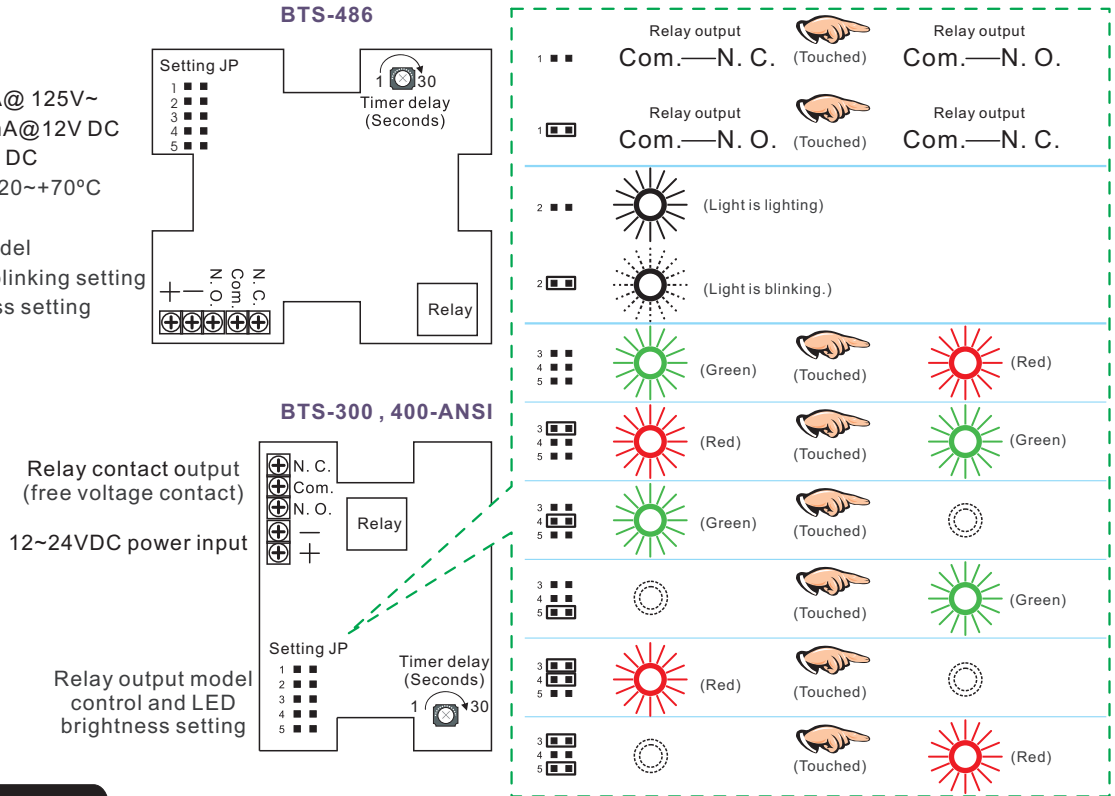
BTS Touch Sensitive Switch Installation Instruction

Specifications

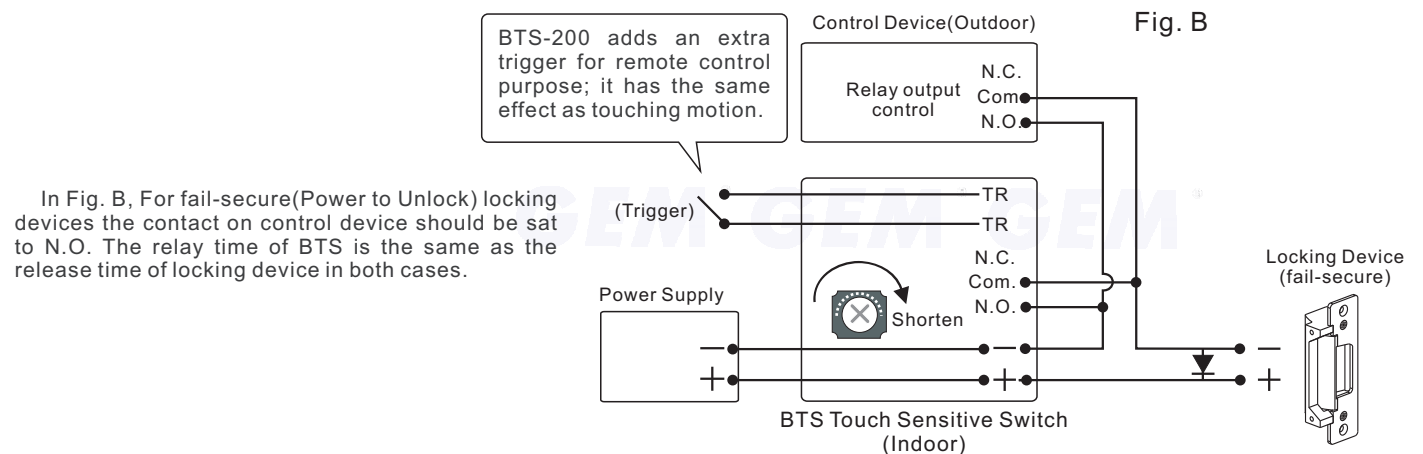
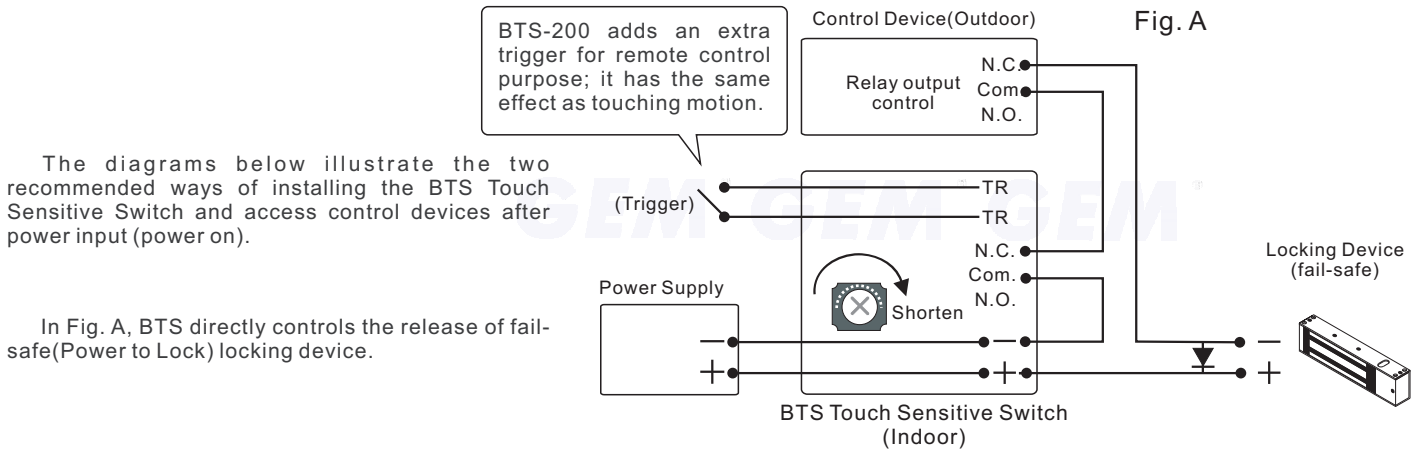
Specifications

- SPDT relay rating: 3A@ 125V~
- Current: 60mA~100mA@12V DC
- Power input :12~24 V DC
- Operating Temper.: - 20~+70°C
- JP setting:

JP1: Relay output model
 JP2: LED lighting or blinking setting
 Jp3~5: LED brightness setting



Connecting Diagram



IMPORTANT NOTICE:

1. It is important to take extra notice on the maximum voltage and current output that the rated of relay contact to be used.
2. Make sure that the "+" and "-" wire are connected correctly.